



Battery Specification Approval Sheet

Product Features

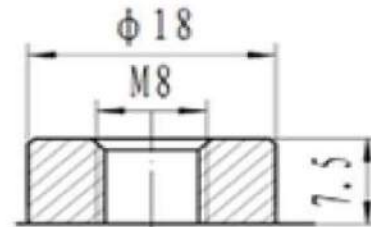
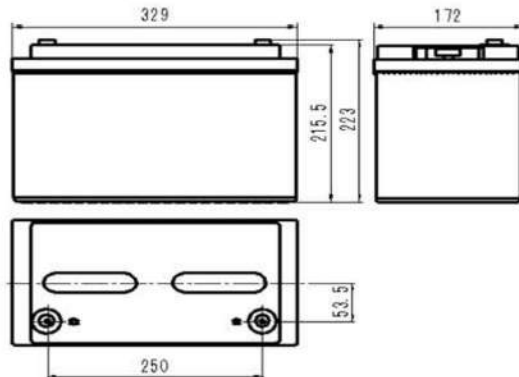
- High tin low calcium alloy grids designed to resist corrosion;
- Patent multi-layer polarity sealing structure, safety and reliable leakage-proof performance
- Patent composite grid structure and plate of high humidity and high temperature curing process which prolong life;
- High purity raw and auxiliary materials, low self discharge

Application

- UPS/EPS
- Emergency lighting
- Communication equipment;
- Renewable Energy
- Power tool
- Universal

Compliant Standards

- GB/T 19639.1-2005 ;
- IEC 61056-1/2: 2002
- JIS C8702-1/2 : 2009 ;
- Passed ISO9001, ISO14001, OHSAS18001, UL and CE certificates



GFM-22

Battery Model	SP12-100			
Designed Life	10 Years			
Capacity(25°C)	20HR(5.0A,1.75V)	10HR(9.3A,1.75V)	5HR(17.0A,1.75V)	1HR(60.0A,1.70V)
	100AH	93AH	85AH	60AH
Dimensions	Length	Width	Height	Total Height
	329mm	172mm	215.5mm	223mm
Approx. Weight	29.8kg			
Internal Resistance	4.0m Ω			
Maximum Discharge Current	1000A(5 Sec.)			
Self Discharge	≤2% per months (25°C)			
Charge Voltage(25°C)	Cycle use		Float use	
	14.7V(-24mV/°C), max charge current:30A		13.62V(-18mV/°C)	



Discharge parameter:

Constant current discharge data (25°C , A)													
End voltage (V/cell)	5min	10min	15min	20min	30min	45min	1h	1.5h	2h	3h	5h	10h	20h
1.60	335.0	236.0	181.0	148.0	110.0	80.00	63.50	47.30	37.30	26.80	17.63	9.600	5.130
1.65	315.0	227.0	175.0	144.0	107.0	78.00	61.90	46.50	36.90	26.50	17.40	9.500	5.100
1.70	292.0	216.0	169.0	140.0	104.0	76.00	60.00	45.60	36.20	26.20	17.20	9.400	5.050
1.75	262.0	201.0	162.0	135.0	101.0	74.00	58.70	45.00	35.30	25.70	17.00	9.300	5.000
1.80	237.0	184.0	153.9	129.0	97.00	72.50	57.10	43.50	34.50	25.20	16.60	9.100	4.900

Constant power discharge data (25°C , W/cell)													
End voltage	5min	10min	15min	20min	30min	45min	1h	1.5h	2h	3h	5h	10h	20h
1.60	565.0	422.0	329.0	272.4	204.0	151.0	119.0	88.00	69.70	50.50	33.30	18.80	10.38
1.65	540.0	410.0	323.0	266.9	201.0	147.6	117.7	87.06	69.13	50.13	33.07	18.55	10.32
1.70	509.0	394.0	315.0	261.5	197.0	144.5	116.0	86.13	68.44	49.69	32.87	18.36	10.27
1.75	467.0	372.0	304.0	253.6	192.0	141.5	113.5	85.12	67.68	49.28	32.62	18.16	10.20
1.80	429.0	346.9	290.0	244.0	186.0	139.0	111.0	83.50	66.50	48.50	32.30	17.95	10.00

Performance Curve :

